

URBARN™ Garden Series 1.0 Panel™ (Blue/Veg)

User Guide



GS4P-4L4B-GG0A-080 Blue/Veg







A BREED APART

URBARN™ aligns with the spirit and drive of a farmer:

Relentless focus on operational efficiency and productivity backed by a community of like-minded business owners.

Table of contents:

Warranty

Safety & Precautions

System Hardware & Accessories

Assembly & Mounting Instructions

Technical Specifications

Warnings

Care & Maintenance

URBARN[™]
TOOLS TO **GROW** WITH



Warranty

Every URBARN™ horticultural light is designed, engineered, and built by Abundant Lighting, LLC, in Grand Rapids, Michigan, USA. We use the finest materials from around the world to ensure you have the most advanced technology available. All URBARN™ lighting products are guaranteed against manufacturing defects for five (5) years from date of purchase. For detailed warranty information, visit URBARN.com



Safety & Precautions

Please read this manual thoroughly before attempting to install or operate your URBARN™ horticultural light, and keep it in a safe place for future reference. This fixture must be installed by a qualified electrician.

It is important that you read, fully understand, and observe the subsequent safety precautions.

This fixture is suitable and rated for damp and dry locations. Care should be taken that it is used in a manner that does not exceed its rated ampacity or the maximum ambient temperature (30°C) of its installed environment. For longevity and peak performance, avoid exposure to direct sunlight as it may raise ambient temperatures past the fixture rating.

The URBARN luminaire should not be concealed or extended through a wall, floor, ceiling, or other parts of a building. It should not be located above a suspended ceiling or dropped ceiling, and should not be permanently affixed to a building structure.

Care should be taken that the luminaire mounting components and wiring are not subject to strain and are protected from physical damage. When suspended, each luminaire should be visible over its entire length.

While our URBARN fixture operates at a low temperature, it is best not to touch while in operation.

Connect your URBARN light fixture to power sources of the correct voltage. Protect power cables from being pinched, walked on, or otherwise damaged. Be especially careful where the power cable enters the housing of the unit. Only connect the light to an electrical outlet or extension cord of appropriate type and rating.

DO NOT defeat the safety purpose of a grounding or polarized plug by removing ground pins or using unsafe adapters. A polarized plug has two blades—one wider than the other. A grounding plug has a third ground prong in addition to the two main conductors. The wide blade or third

grounding prong is provided for your safety. If the provided plug does not fit your outlet, consult an electrician to replace your obsolete outlet.

If you replace the power cord, only use one of similar type and equal or greater current rating.

The URBARN light fixture should only be cleaned as directed in the manual. You should seek service for your system by qualified factory support if any of the following occur:

- The power-supply cord or the plug has been damaged.
- The unit has been exposed to rain.
- The unit exhibits a marked change in performance.
- The unit has been dropped, or its enclosure or chassis is damaged.

The product must be installed in accordance with the National Electrical Code and all applicable local codes. Proper grounding is required for safety. The fixture must be installed in accordance with the applicable installation code by a person familiar with the construction and operation of the product and any hazards involved.

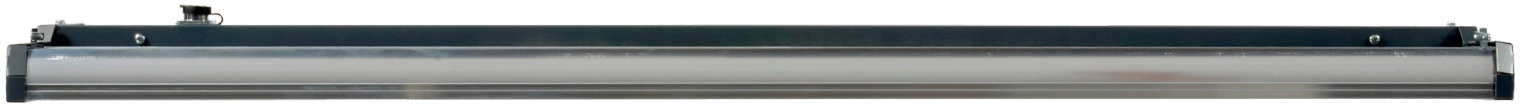
NOTICE: UV emitted from this product.

Photobiological Risk Group 1

These photobiological safety markings are based on testing of the light output characteristic of a single horticultural luminaire. Increased exposure risk to facility personnel may be present depending on the number of horticultural luminaires and their placement and/or positioning within the plant growth facility.

It is the responsibility of the plant growth facility to address these risks at the facility level, and to ensure that people entering the plant growth areas while the lights are on are aware of these risks and that the appropriate safeguards are in place.

A



System Hardware & Accessories

System Hardware

A - URBARN™ Garden Series 1.0 Panel™ Blue/Veg
Fully assembled light fixture with mounting brackets

Accessories

B - AC Cables

- Cable only, 8' (standard) or 12' (special order)
- 8', 12' (special order); preassembled with 5P, 6P, or 7P plug per specification

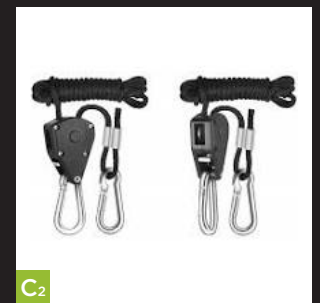
C - Mounting Hardware

C1 - Galvanized Cable System - Paddle (standard)

C2 - Rope Ratchet (special order)

D - Reference

- User Guide



Assembly & Mounting Instructions

Remove light fixture and hardware from packaging. Be sure to place on a stable and flat surface with LEDs facing downward.

Adjust the cables or rope ratchets fixture connections to their desired position and secure. Be sure that the connection points to the lighting fixture are spaced an equal distance from the endcaps to ensure fixture stability.

Maintain a minimum of 300mm (12 inches) mounting distance between lighting fixtures, walls, solid partitions and other permanent structures.

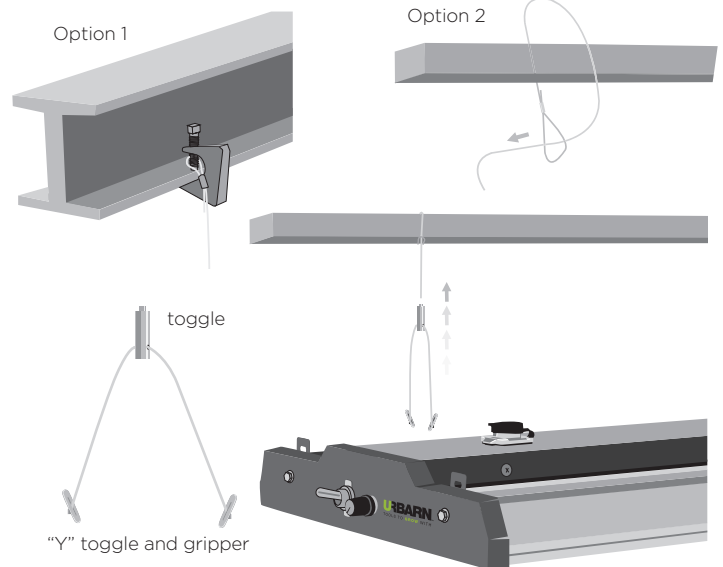
Maintain a minimum of 152mm (6 inches) distance from ceilings. Care should be taken to never mount any electrical lighting fixture near highly combustible materials. Check local building codes for more specific instruction if required.

Attach male connector of power cord to corresponding female connector end of fixture. Ensure connection snaps into place.

Cable System

Secure the hanger cable to an overhead supporting structure using a minimum of two hanger points.

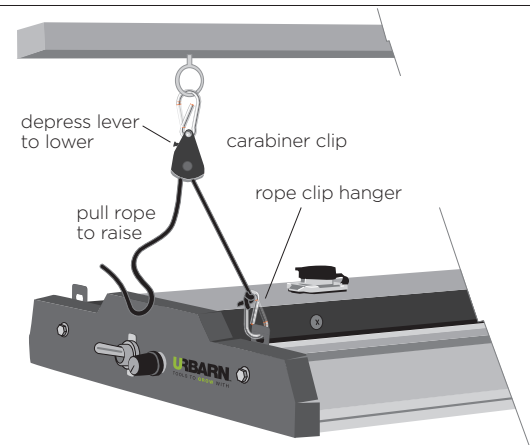
- Option 1: Secure the loop portion of the cable to a beam mount or similar secure hanging point.
- Option 2: Pass loop side of the cable over, around and under structure capable of supporting 40 pounds or more. Then pass straight end of cable through loop and pull tight.
- Repeat for both sides and ensure mounting position is equal distance from ends to maintain balanced system.
- Raise fixture with "Y" toggle and grippers (already attached to the fixture) to the loop cable secured to structure above. Pass the straight end of loop cable through the toggle. The plunger on top of the toggle catches and holds the cable securely.
- Level the fixture plumb with the building lines to the desired height over the plant canopy (to let out cable, push the plunger down).



Adjustable Loop with Rope Ratchet

Fasten the adjustable rope clip hangers (provided) to light's mounting brackets. Repeat for both sides to ensure mounting position is equal distance from ends to maintain a balanced system.

- Attach the carabiner clip on the ratchet to a secure overhead hanging location such as a threaded hook or anchor.
- Secure the carabiner clip on the end of the looped rope to the fixture. Make sure not to exceed 75 pounds per ratchet.
- Tighten the ratchet by pulling the loose end of the rope to raise the fixture to the desired height.
- To loosen or lower the attached light, depress the small lever recessed within the rope ratchet. Replace rope when worn.



Final Adjustments

Hang the fixture in the desired location and adjust the mounting height to six inches from canopy.

- To prevent the overheating of lighting equipment or combustible materials within the installation environment, please maintain at least 6 inches of open air space above the unit and 12 inches from each end to allow adequate airflow and cooling of the fixture.

- Once the fixture is in place, plug the AC cable into the wall or ceiling outlet. Make sure no one is looking directly at LEDs when power is connected.
- Note: This URBARN™ light fixture is suitable for dry or damp location installation. The fixture is not for intra-canopy use.

WARNING: Carefully inspect the connections before hanging the cable system or rope ratchet.

DO NOT EXCEED LOAD LIMITS:

- **CABLE KIT** - 40 pounds per cable. Inspect each cable before using.
- **ROPE RATCHET** (special order) - 75 pounds per ratchet. Inspect each ratchet before using.

DO NOT USE IF DAMAGED. Avoid hot surfaces, sharp edges, abrasive surfaces and pinch points.

Initial Setup Instructions

Your URBARN fixture has an On/Off power switch. It is a 2-channel luminaire with a fixed channel of white LEDs primarily controlled by the power source into which the fixture is connected.

- If the power source is not controlled by a rheostat or other adjustable building control, the fixtures will always operate at full output and power.
- The second channel consists of LEDs with specific nanometer outputs. These LEDs are high-power and can be adjusted to supplement the white lighting from 0% output to 100% by rotating the knob on the end of the fixture located near the On/Off switch.
- The purpose of the second channel is to augment the photonic output of the broad-spectrum white LEDs. It may be adjusted to increase the ultimate PPF output and PPFd canopy requirements for an optimal grow cycle.

Technical Specifications



Family/Model

URBARN™ Garden Series 1.0 Panel™ (Blue/Veg)

Spectrum

Grower adjusted

Input Voltage

120-277VAC

AC Power Cord

8' (standard), 12' (special order)

AC Plug

NEMA Rated 5-20P Plug

NEMA Rated 6-20P Plug

NEMA Rated L7-20P Plug

Mounting Hardware

Finished Galvanized Cable System (standard)

Rope Ratchet (special order)

Packaging

Single Unit (1)

Frequency

50/60Hz

Max Ambient Temperature

86°F/30°C

Photosynthetic Photon Flux (PPF)

753 $\mu\text{mol}/\text{sec}$

Energy Efficiency (PPE)

1.92 $\mu\text{mol}/\text{J}$

Nominal AC Input	120V	277V
AC Current (Amps)	3.4A	1.5A
AC Input Power (Watts)	408W	392W

WARNING

Risk of electrical shock. To reduce the possibility of serious injury, always take the proper precautions and unplug the fixture before moving or cleaning.

CAUTION

LED and heatsink surfaces may be hot. Allow sufficient cooling time before handling.

To reduce the risk of overheating or fire, never place operating fixtures face down on a flush surface. Always allow for adequate ventilation of fixtures and power supplies.

WARNING - POSSIBLE RISK OF INJURY TO EYES AND SKIN

Hazardous optical radiation may be emitted from the light source. Do not stare at operating lamp. May be harmful to eyes.

UV may be emitted from the light source. Eye or skin irritation may result from exposure. Use appropriate shielding.

IR may be emitted from the light source. Do not stare at operating lamp.

Care & Maintenance

- Your URBARN™ horticultural light combines both active and passive cooling. The light is designed for indoor use and the unique conditions found in plant grow facilities. Some basic care will keep your light operating at peak performance.
- For your light to properly cool itself, we recommend at least 152mm (6 inches) of space between the fixture and the ceiling of your grow facility. Failure could result in shortened lifespan.
- To optimize lifespan and performance, we recommend checking for and removing excess dust, debris, and mineral buildup from the fixture and glass.
- Cleaning should always be done with the fixture unplugged from its power source. We recommend using low-pressure compressed air or water to rinse away dust.
- Water should never be applied directly to the board surface on which the LEDs are mounted.

PLEASE NOTE:

The light source of this luminaire is not replaceable; when the light source reaches its end of life, the whole luminaire shall be replaced.

Horticulture lighting is not suitable for household room illumination.





LEARN MORE at urbarn.com

and let us know how we can help you grow

616.947.4888 | 3529 3 Mile Road NW, Grand Rapids, MI 49534



3529 3 Mile Road NW, Grand Rapids, MI 49534

URBARN[™]
TOOLS TO **GROW** WITH

616.947.4888 urbarn.com



© 2.22